

STD WORKING LAMP

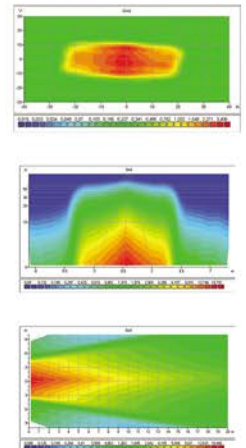
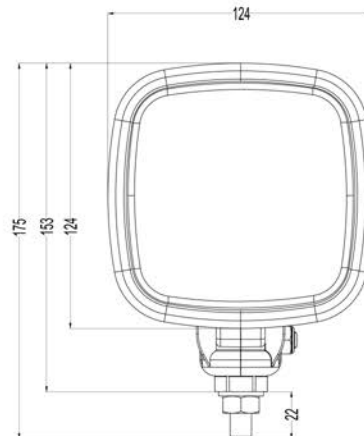
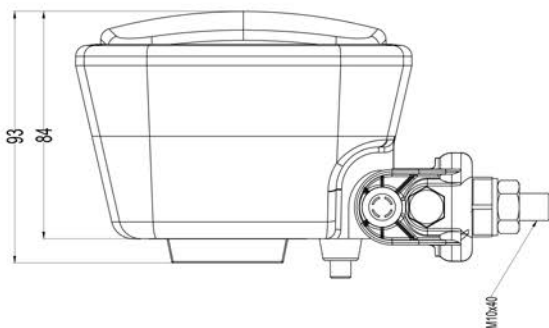


Features

- 2K Injection technology for vibration absorbing and good sealing on 3 areas surface
- TSEK certificated
- Esthetic and elegant design
- Shock resistant design
- Hardened glass lens
- Plastic hinge mechanism
- Easy bulb change with back cover
- High illumination properties with optimum reflector design
- Cables can be customized according to customer request.
- %100 tested before delivery
- 360-degree rotation design
- ~600 Lumen lighting values
- Energy consumption ~55w-70w



PARTS	PARTS NAME	PARTS NO
	STD WORKING LAMP	0001.3700.XXX
	STD WORKING LAMP CLEAR LENS	0001.3700.XXX
	STD WORKING LAMP WITH SPIRAL CABLE & LIGHTER SOCKET	0001.3704.XXX
	STD WORKING LAMP WITH EXTRA LONG CABLE & BATTERY CLIP	0001.3704.XXX
	STD WORKING LAMP & TOOL BOX	0001.3704.XXX
	STD WORKING LAMP SS	0001.3700.003



BULB	
12 V 55 W	0001.2066.000
24 V 70 W	0001.2046.000

BACK COVER	
Without on-off switch	0001.0056.000